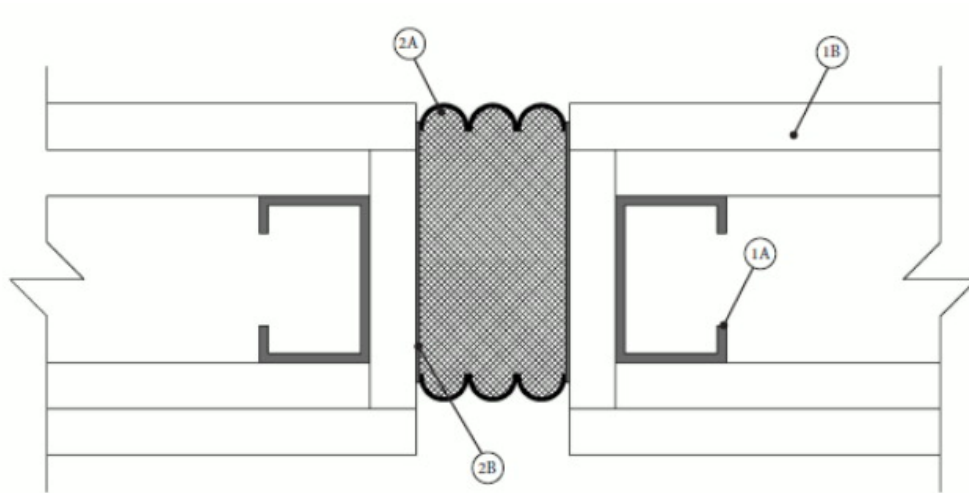


System No. WW-D-0134

Nominal Joint Width - 1/2 to 1-7/8 in. (13-48 mm)

Configuration A: (Nominal 1/2 in. joint)



1A. Studs

1B. Gypsum Board

2A. Fire Rated Foam

2B. Epoxy Adhesive

Configuration B: (Not Shown)

(Nominal 1/2 to 1-7/8 in. joint)

1A. Studs

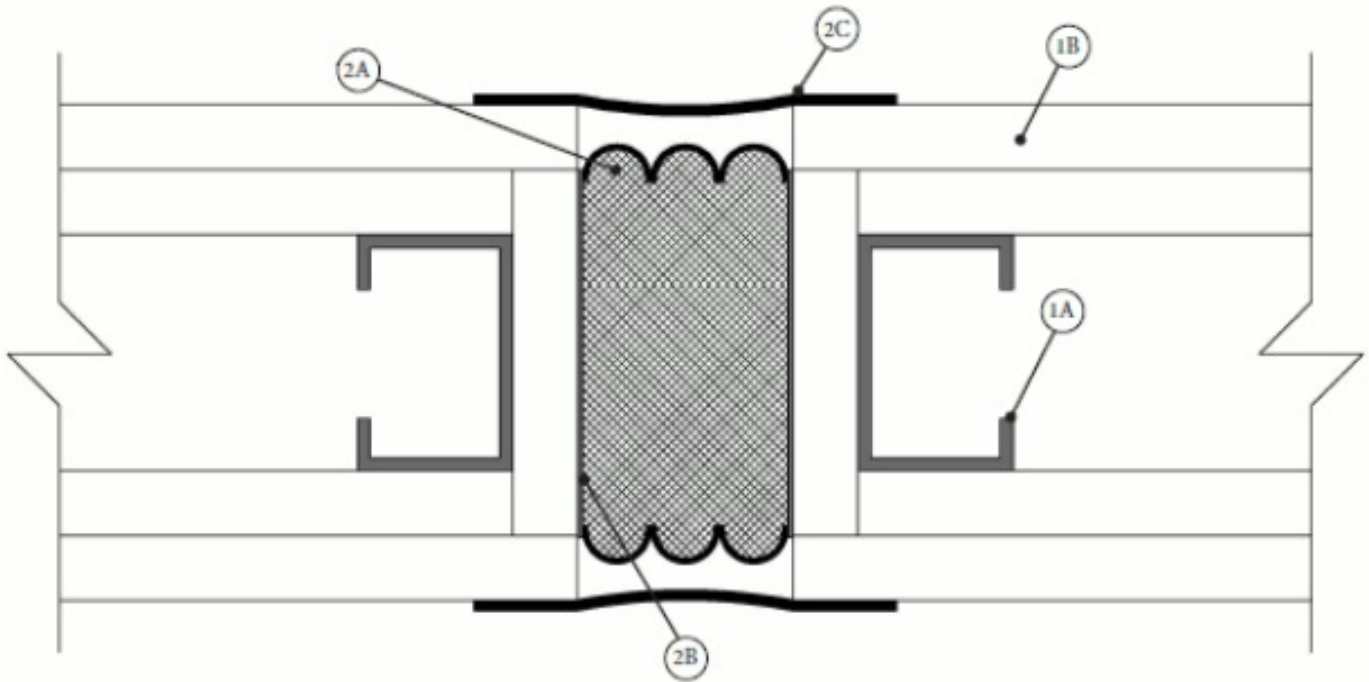
1B. Gypsum Board

2A. Fire Rated Foam

2B. Epoxy Adhesive

System No. WW-D-0135

Nominal Joint Width -1/2 to 1-7/8 in.

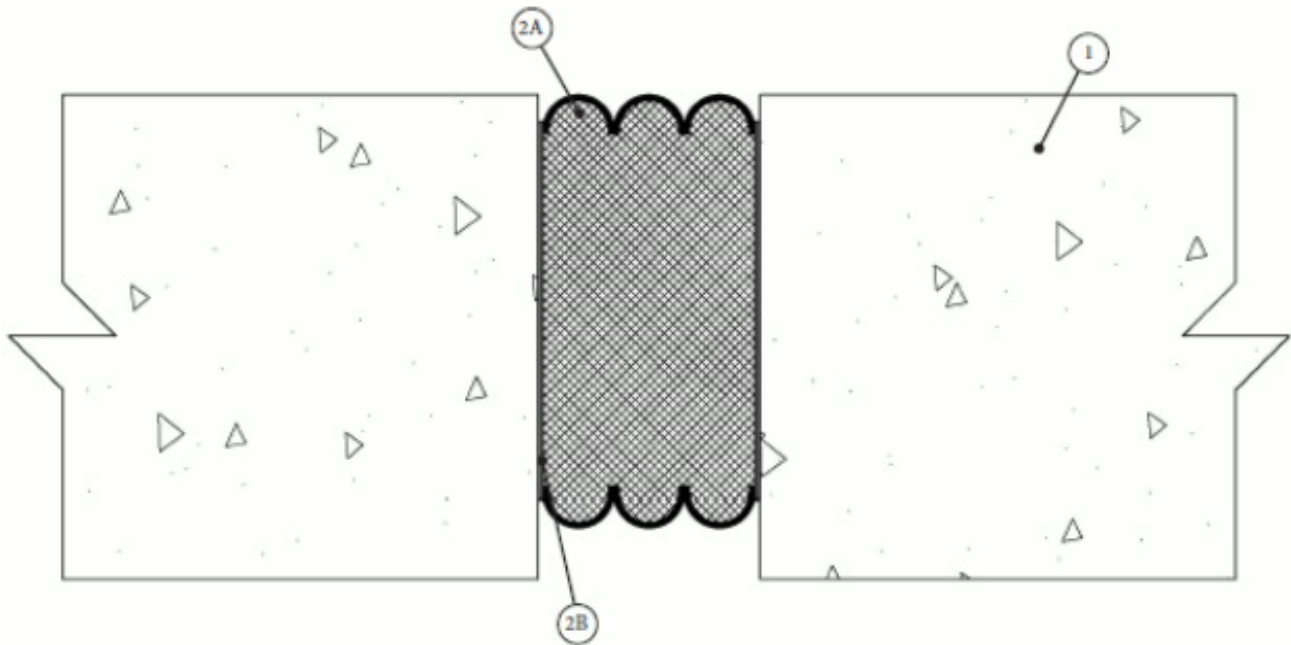


- 1A. Studs
- 1B. Gypsum Board
- 2A. Fire Rated Foam
- 2B. Epoxy Adhesive
- 2C. Joint Cover

System No. WW-D-0136

Nominal Joint Width - 1/2 to 1-7/8 in. (13-48 mm)

Configuration A: (Nominal 1/2 in. joint)



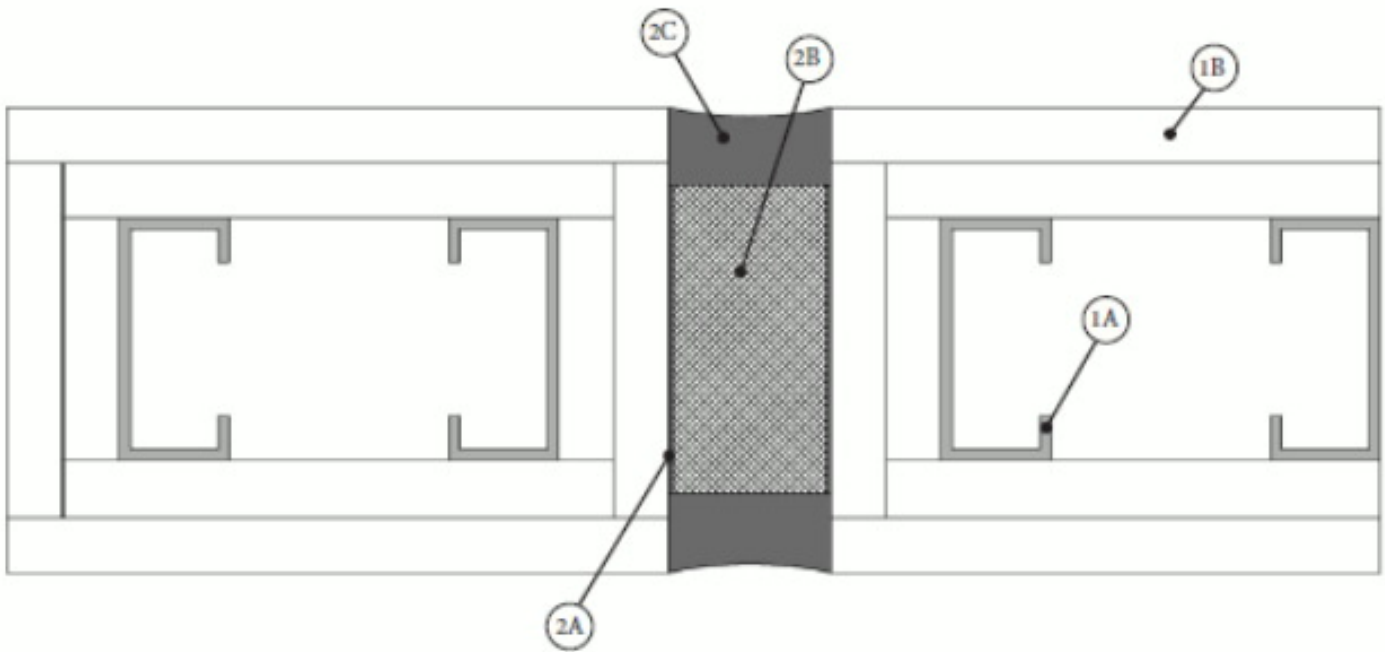
- 1. **Concrete**
- 2A. **Fire Rated Foam**
- 2B. **Epoxy Adhesive**

Configuration B: (Not Shown) (Nominal 1/2 to 1-7/8 in. joint)

- 1. **Concrete**
- 2A. **Fire Rated Foam**
- 2B. **Epoxy Adhesive**

System No. WW-D-0137

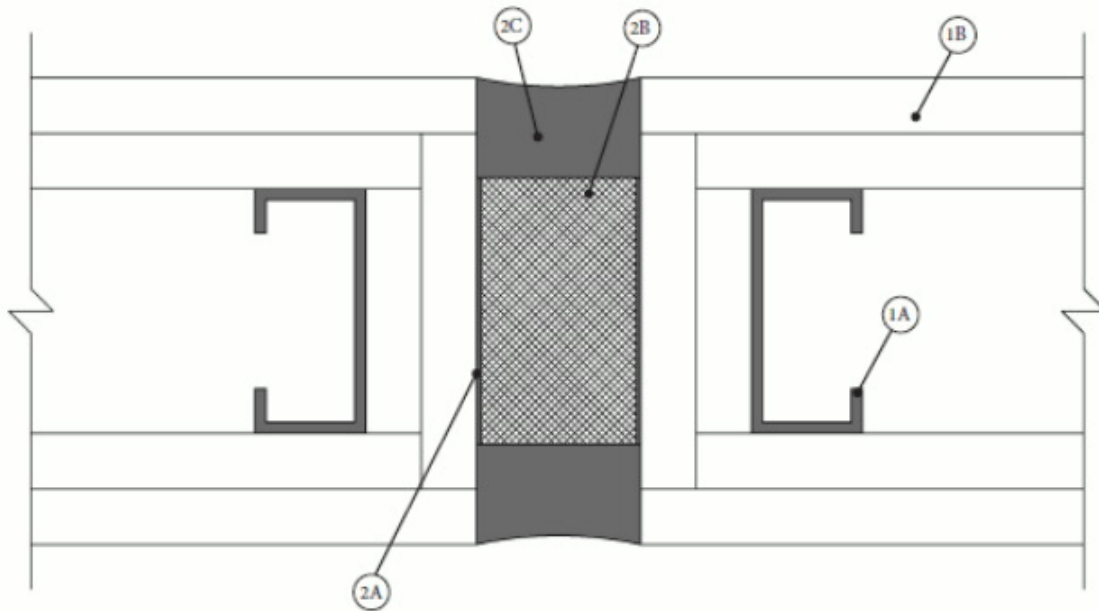
Nominal Joint Width - 1/2 to 1 in.



- 1A. **Studs**
- 1B. **Gypsum Board**
- 2A. **Epoxy Adhesive**
- 2B. **Fire Rated Foam**
- 2C. **Sealant Band (Optional)**

System No. WW-D-0138

Nominal Joint Width - 1/2 to 1-7/8in.

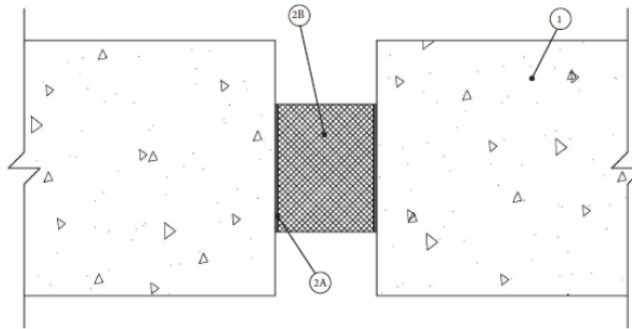


- 1A. Studs
- 1B. Gypsum Board
- 2A. Epoxy Adhesive
- 2B. Fire Rated Foam
- 2C. Sealant Band (Optional)

System No. WW-D-0139

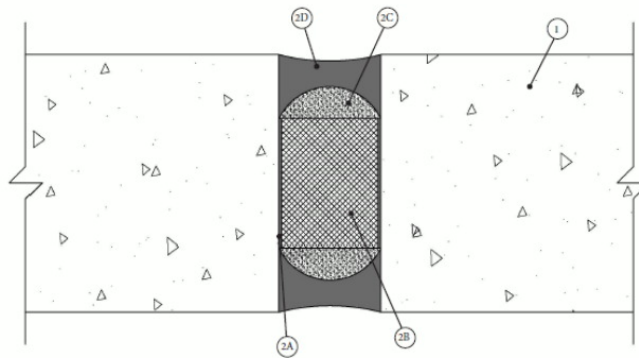
Nominal Joint Width - 1/2 to 1-7/8 in.

Configuration A: (Nominal 1/2 to 1-7/8 in. joint)



- 1. Concrete**
- 2A. Epoxy Adhesive**
- 2B. Fire Rated Foam**

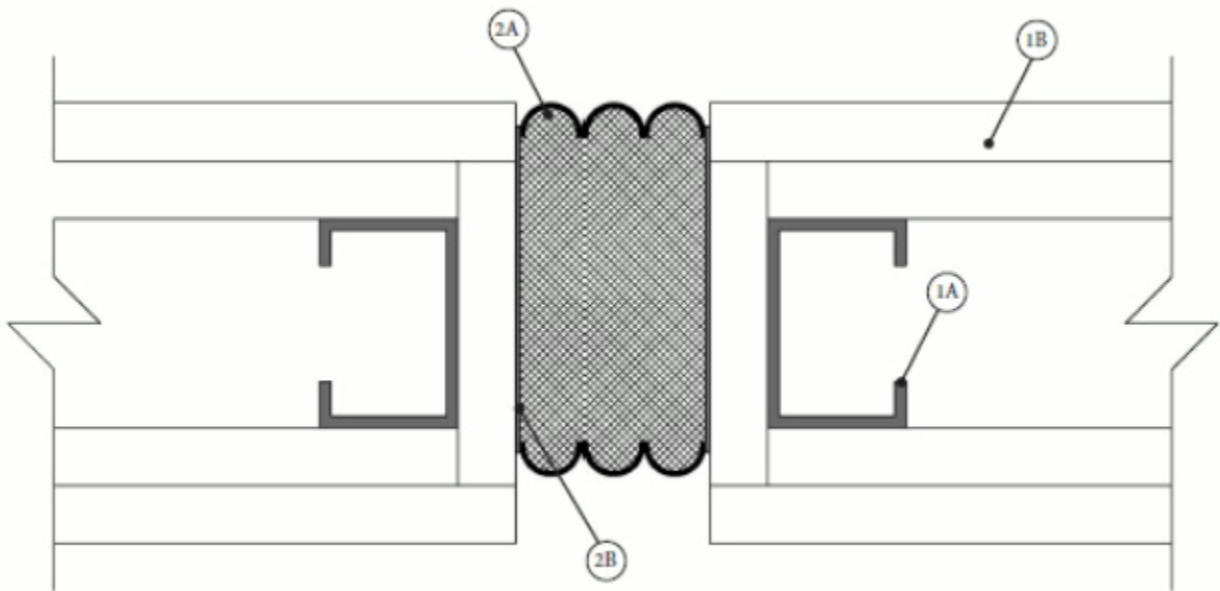
Configuration B: (Nominal 1/2 to 1-7/8 in. joint)



- 1. Concrete**
- 2A. Epoxy Adhesive**
- 2B. Fire Rated Foam**
- 2C. Packing Material (Optional)**
- 2D. Sealant Band**

System No. WW-D-1121

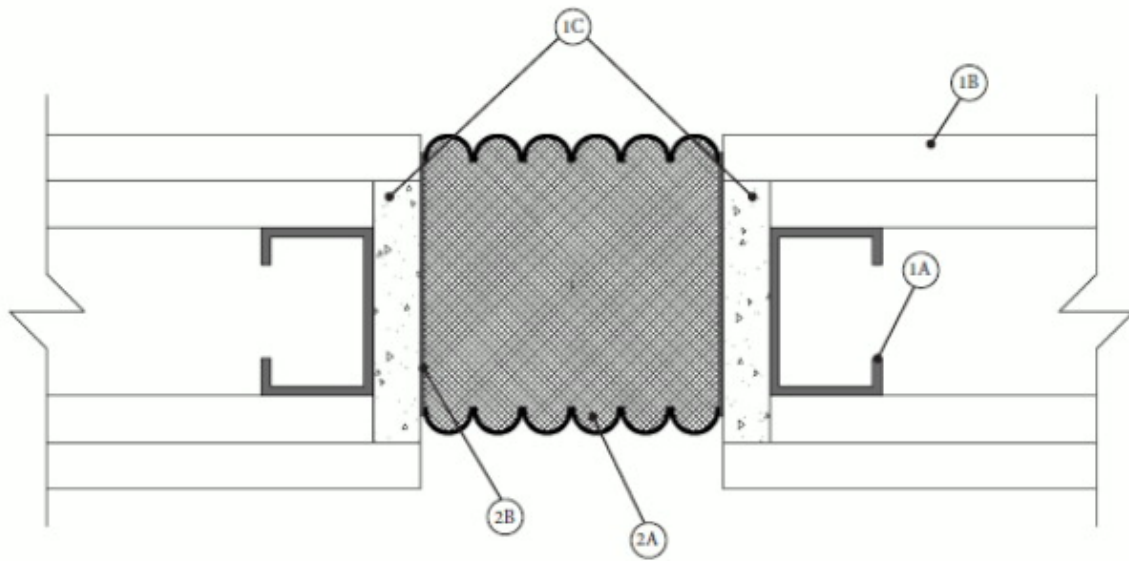
Nominal Joint Width - 2 - 2-1/2 in. (51-64 mm)



- 1A. Studs
- 1B. Gypsum Board
- 2A. Fire Rated Foam
- 2B. Epoxy Adhesive

System No. WW-D-1122

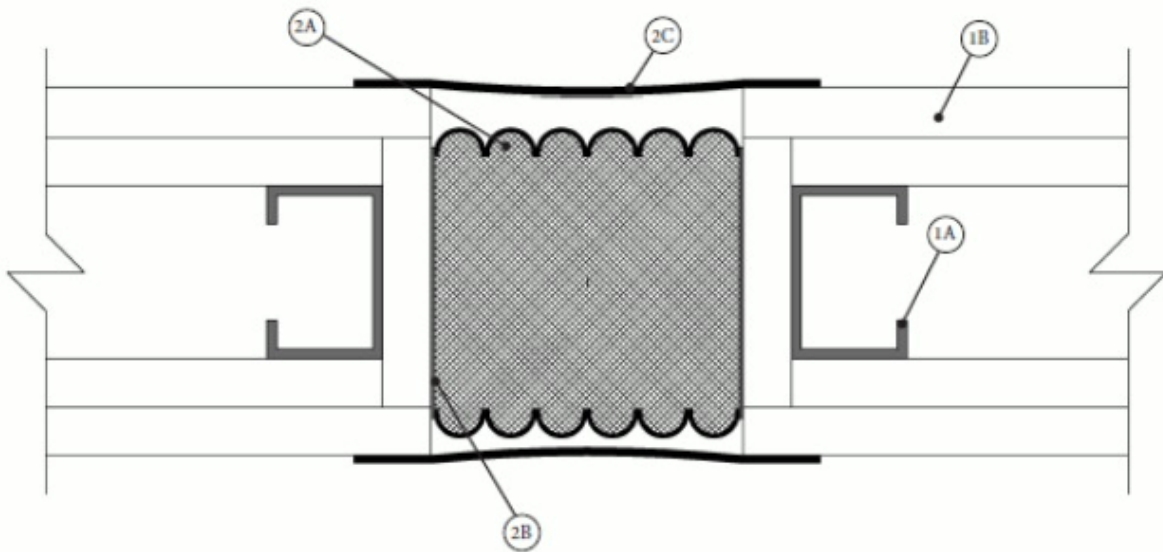
Nominal Joint Width — 2 - 4-1/2 in. (51-114 mm)



- 1A. Studs
- 1B. Gypsum Board
- 1C. Cementitious Backer Units
- 2A. Fire Rated Foam
- 2B. Epoxy Adhesive

System No. WW-D-1123

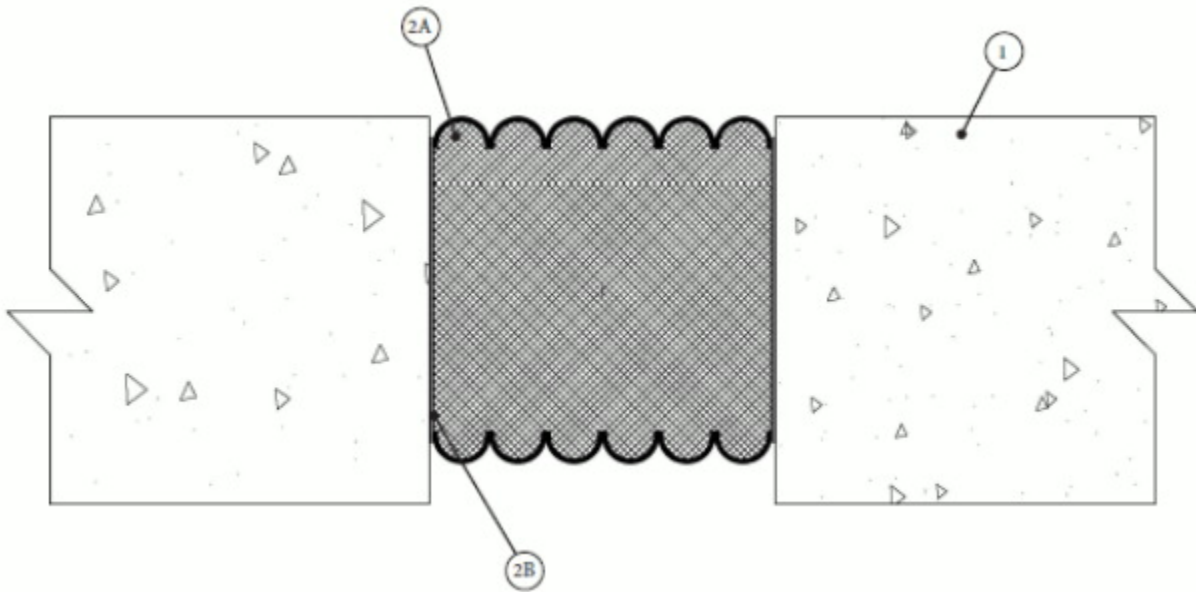
Nominal Joint Width - 2 to 4-1/2 in.



- 1A. Studs
- 1B. Gypsum Board
- 2A. Fire Rated Foam
- 2B. Epoxy Adhesive
- 2C. Joint Cover

System No. WW-D-1124

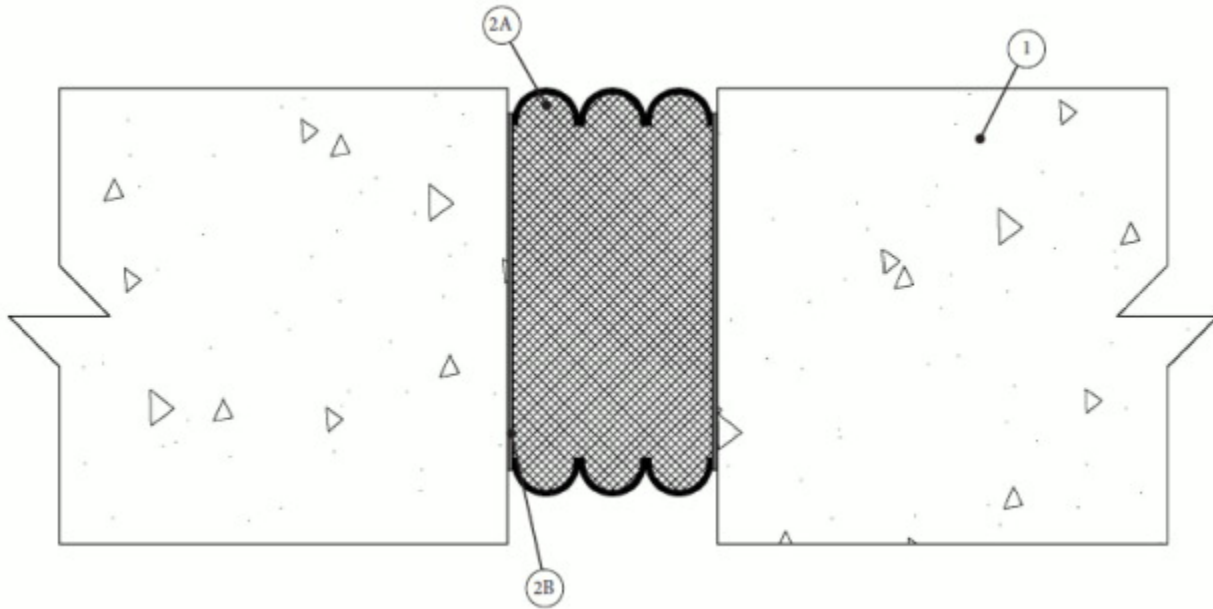
Nominal Joint Width — 2 - 4-1/2 in. (51-114 mm)



- 1. **Concrete**
- 2A. **Fire Rated Foam**
- 2B. **Epoxy Adhesive**

System No. WW-D-1125

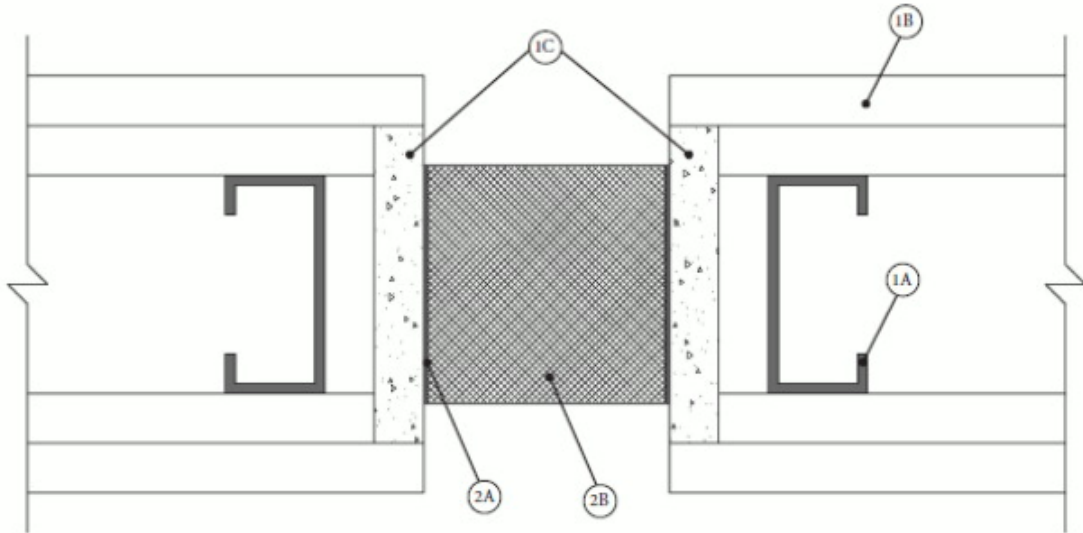
Nominal Joint Width - 2 - 2-1/2 in. (51-64 mm)



1. Concrete
2. Fire Rated Foam
- 2B. Epoxy Adhesive

System No. WW-D-1126

Nominal Joint Width – 2 to 4-1/2 in.

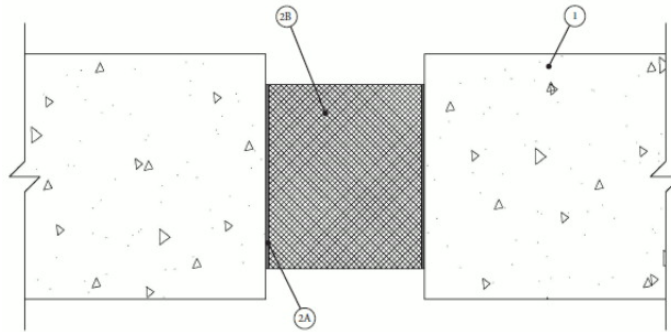


- 1A. Studs
- 1B. Gypsum Board
- 1C. Cementitious Backer Units
- 2A. Epoxy Adhesive
- 2B. Fire Rated Foam

System No. WW-D-1127

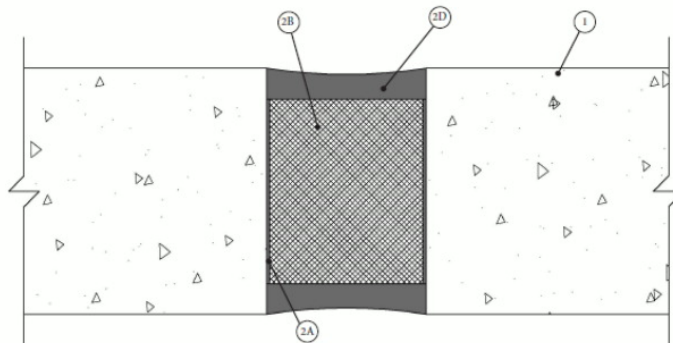
Nominal Joint Width — 2 - 3-3/8 in.

Configuration A:



- 1. Concrete
- 2A. Fire Rated Foam
- 2B. Epoxy Adhesive

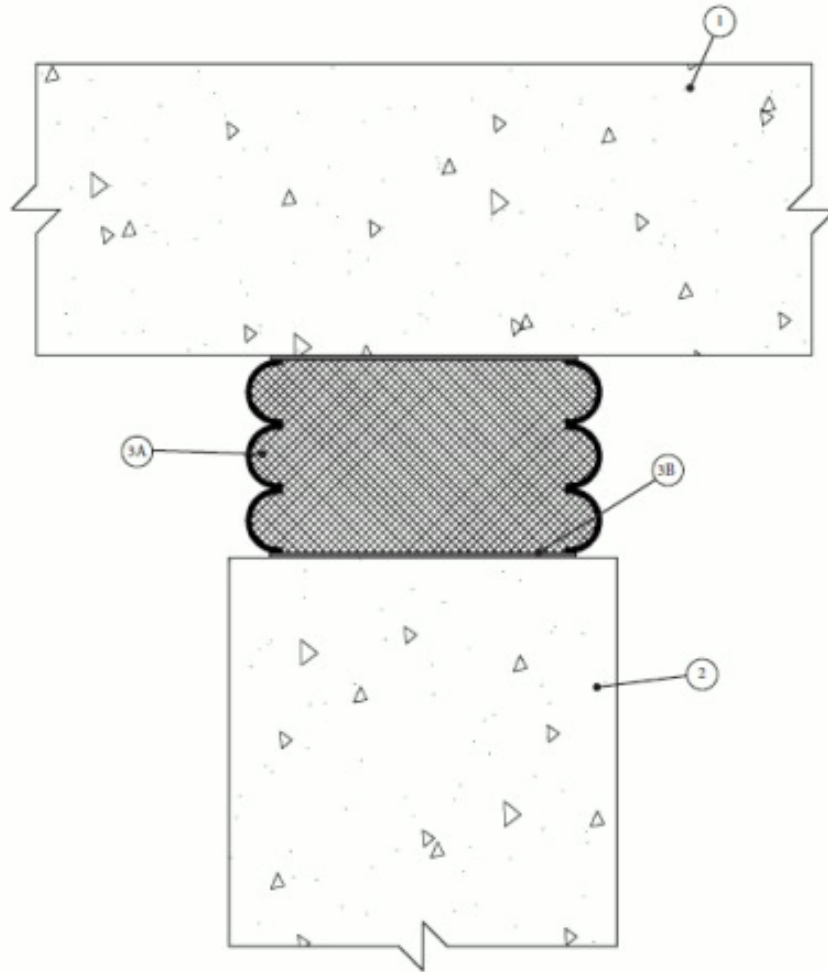
Configuration B:



- 1. Concrete
- 2A. Epoxy Adhesive
- 2B. Fire Rated Foam
- 2C. Packing Material (Optional)
- 2D. Sealant Band

System No. HW-D-0700

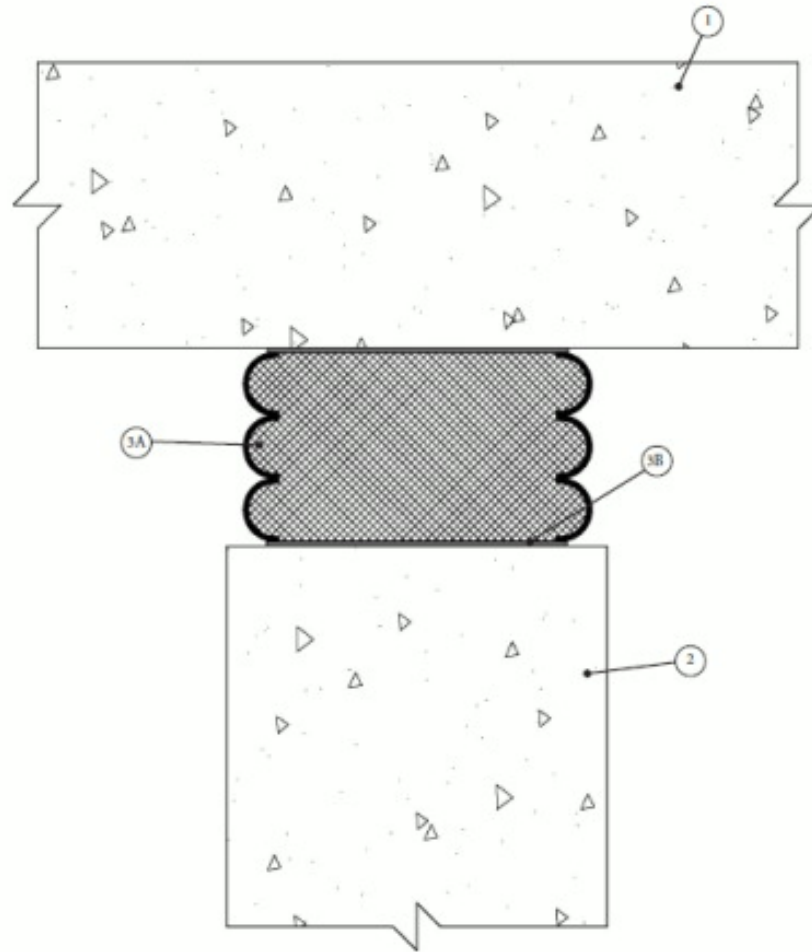
Nominal Joint Width - 1/2 to 1-7/8 in.



- 1. **Concrete**
- 2. **Concrete**
- 3A. **Fire Rated Foam**
- 3B. **Epoxy Adhesive**

System No. HW-D-1101

Nominal Joint Width - 2 to 3 in.



- 1. **Concrete**
- 2. **Concrete**
- 3A. **Fire Rated Foam**
- 3B. **Epoxy Adhesive**