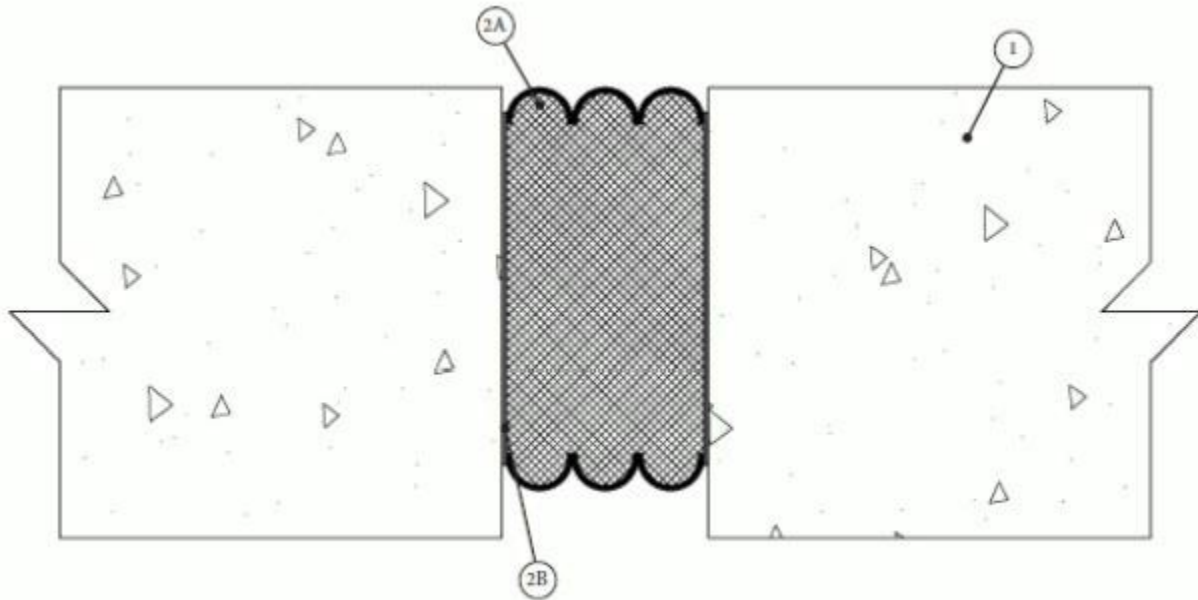


System No. FF-D-0094

Nominal Joint Width — 1/2 to 1-7/8 in.

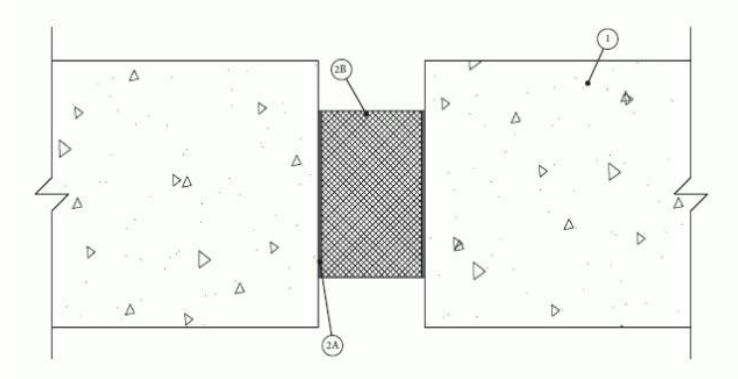


- 1. **Concrete**
- 2A. **Fire Rated Foam**
- 2B. **Epoxy Adhesive**

System No. FF-D-0095

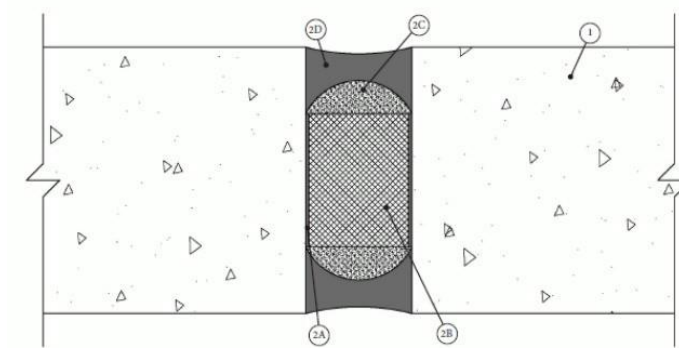
Nominal Joint Width — 1/2 to 1-7/8 in.

Configuration A:



- 1. Concrete
- 2A. Fire Rated Foam
- 2B. Epoxy Adhesive

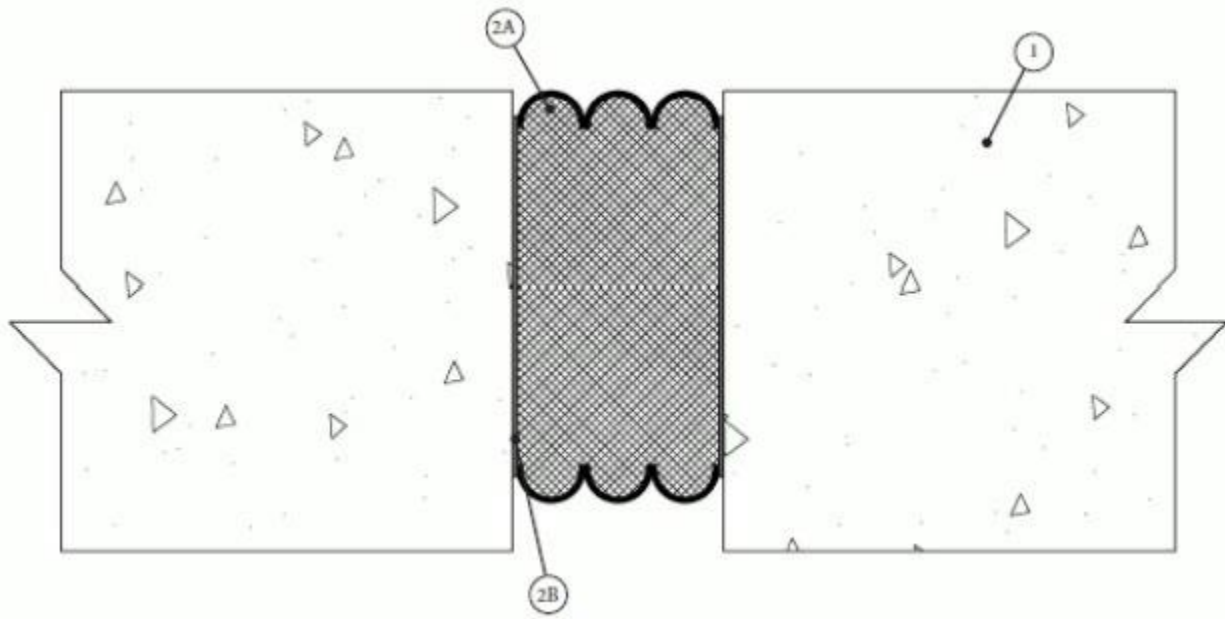
Configuration B:



- 1. Concrete
- 2A. Epoxy Adhesive
- 2B. Fire Rated Foam
- 2C. Packing Material (Optional)
- 2D. Sealant Band

System No. FF-D-1121

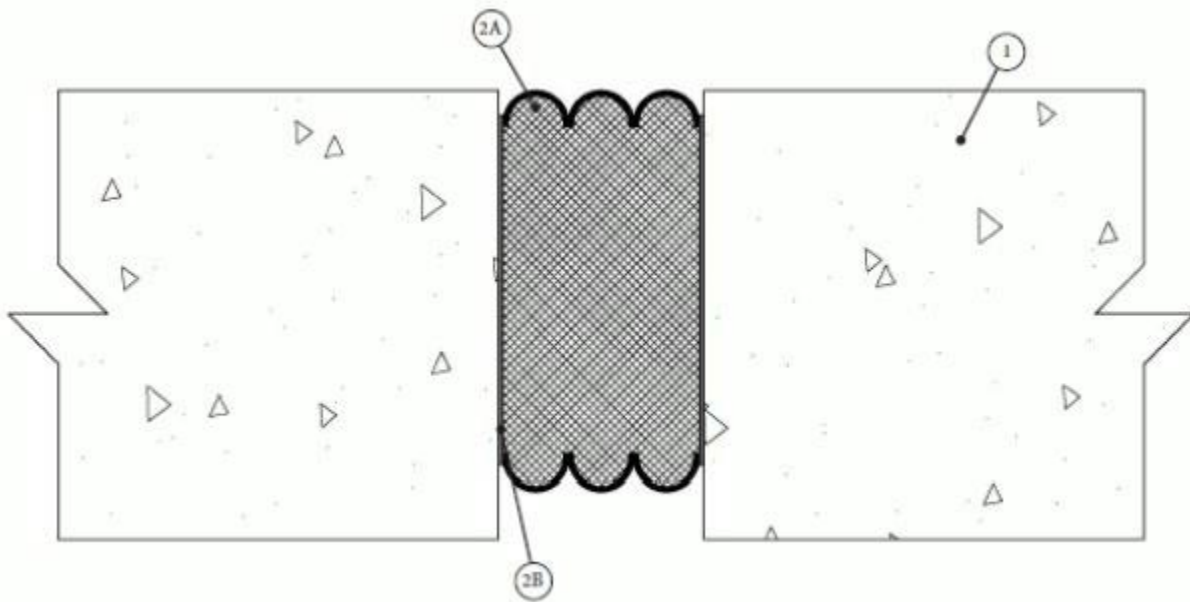
Nominal Joint Width - 2 to 3 in.



- 1. **Concrete**
- 2A. **Fire Rated Foam**
- 2B. **Epoxy Adhesive**

System No. FF-D-1122

Nominal Joint Width — 2 to 4 in.



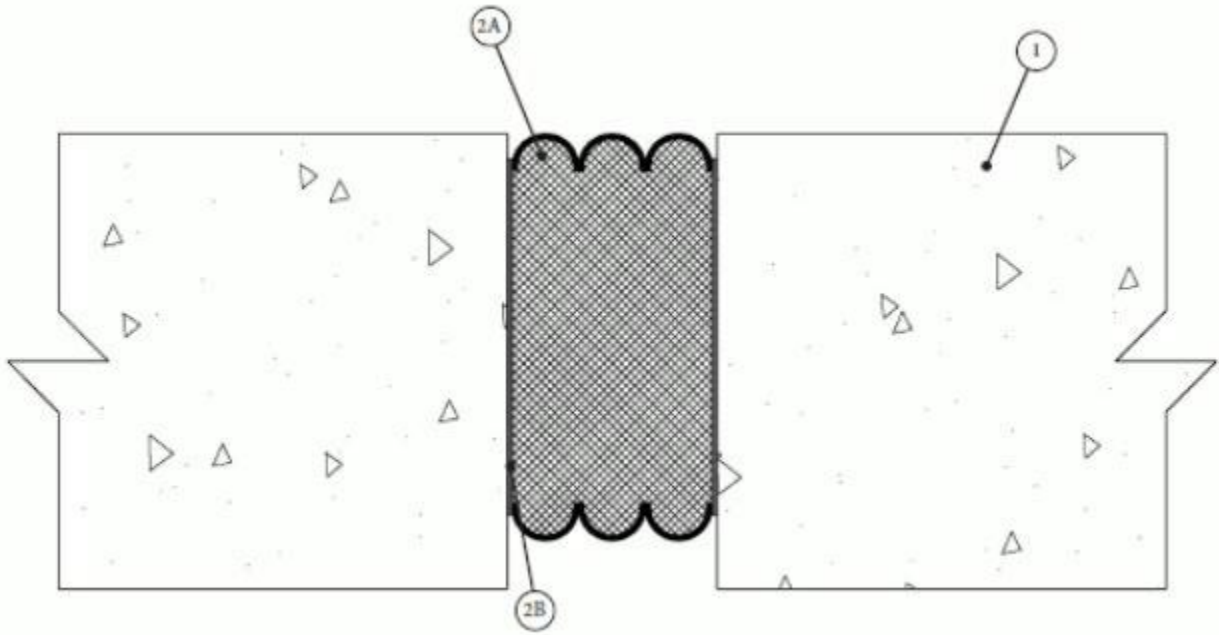
- 1. **Concrete**
- 2A. **Fire Rated Foam**
- 2B. **Epoxy Adhesive**



P: 800.274.2813 • F: 800.416.0550 • custserv@willseal.com • www.willseal.com

System No. FF-D-1123

Nominal Joint Width — 2 to- 4.50 in.

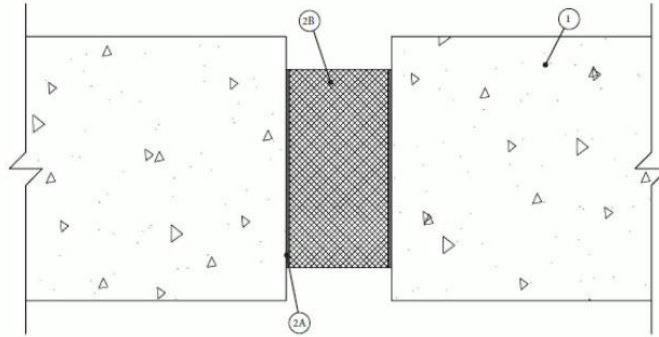


- 1. **Concrete**
- 2A. **Fire Rated Foam**
- 2B. **Epoxy Adhesive**

System No. FF-D-1124

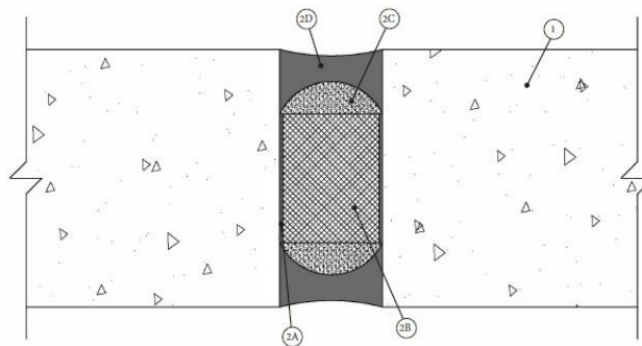
Nominal Joint Width - 2 to 3-3/4 in.

Configuration A:



- 1. Concrete
- 2A. Fire Rated Foam
- 2B. Epoxy Adhesive

Configuration B:



- 1. Concrete
- 2A. Epoxy Adhesive
- 2B. Fire Rated Foam
- 2C. Packing Material (Optional)
- 2D. Sealant Band